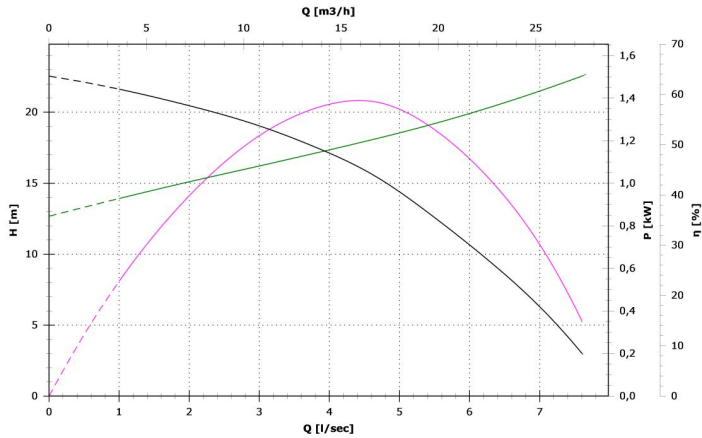


APF 200/2/G40H A1CT/50



High head impeller

Rated power output (P2)

Free passage

1.5 kW

7.5 mm

Technical data

Number of poles	2
Rated power output (P2)	1.5 kW
Input power (P1)	2.1 kW
Nominal absorbed current (In)	3.7 A
rated power factor (cos phi)	0.83
Nominal power frequency (f)	50 Hz
Rated nominal voltage(Vn)	400 V
N° phases	3
IPMotor	68
ATEX thermal class	T4
insulation class	F

Constructive characteristics

Outlet	G1"½ DN32 PN6
Outlet orientation	H (horizontal)
Type of starting	D
Weight	34 kg
Standard cable type	N.A.
EX cable type	NSSHOU-J 4G1.5+2x0.75
Standard paint type	Bicomponent epoxy paint
Maximum acoustic pressure	70 dB
Set of standard mechanical seals	Two Silicon carbide mechanical seals (SiC)
Probe for water presence	

Use limits

Maximum operating temperature	40 °C
Maximum immersion depth	20 m
PH of treated fluid	6 to 14 pH
max starts per hour	30

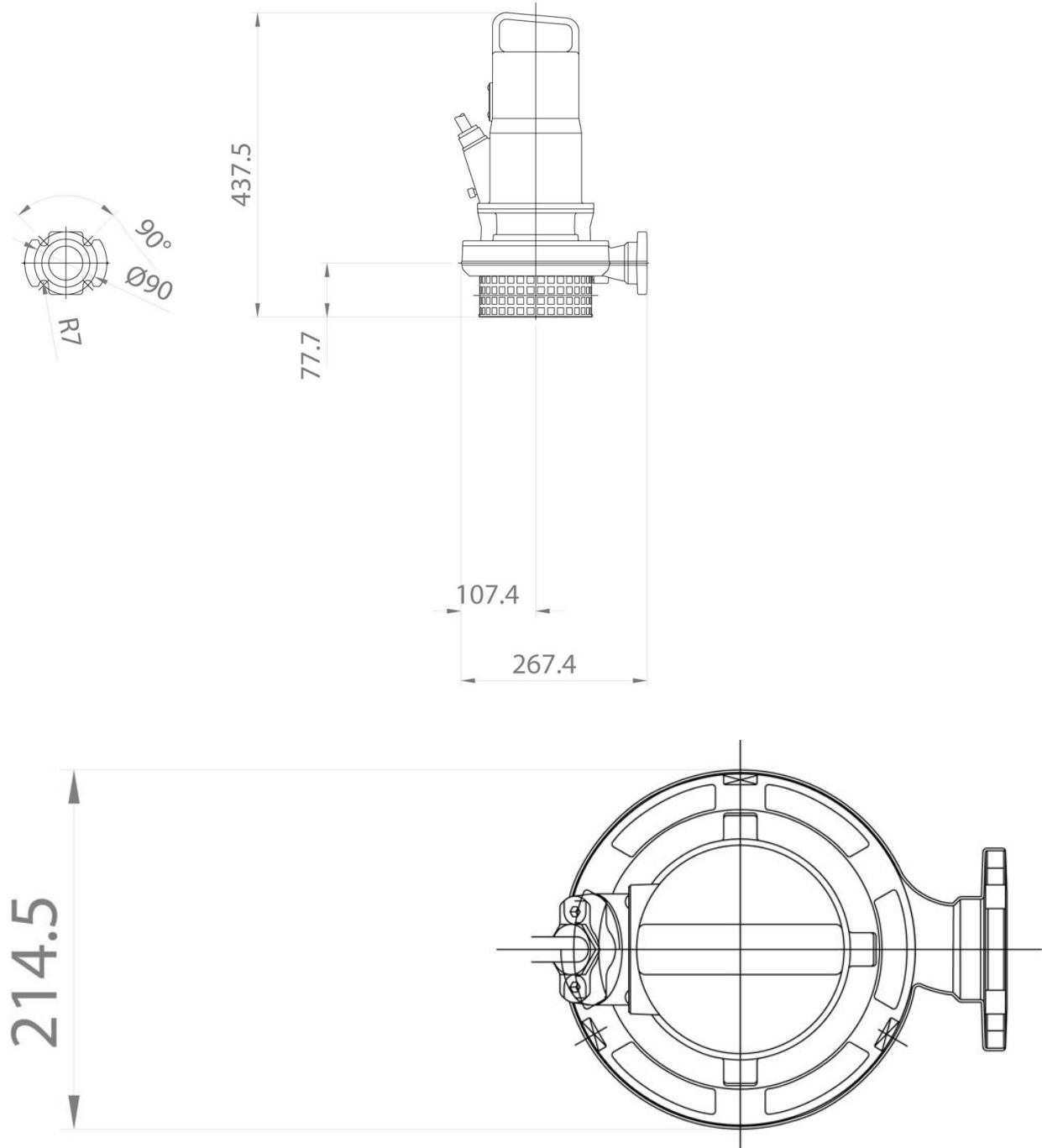
Materials

Case	Grey Cast Iron - EN-GJL 250 (02)
Shaft	Stainless Steel - AISI 420 (23)
Cooling jacket	Not applicable (00)
Standard gasket	Rubber - NBR (77)
EX gasket	Rubber - VITON (78)
Nuts and bolts	Stainless Steel - Class A2-70 (42)
Hydraulic	Grey Cast Iron - EN-GJL 250 (02)
Impeller	Grey Cast Iron - EN-GJL 250 (02)
Cutting disk	Not applicable (00)
Cutter	Not applicable (00)
Grid	Stainless Steel - AISI 304 (20)

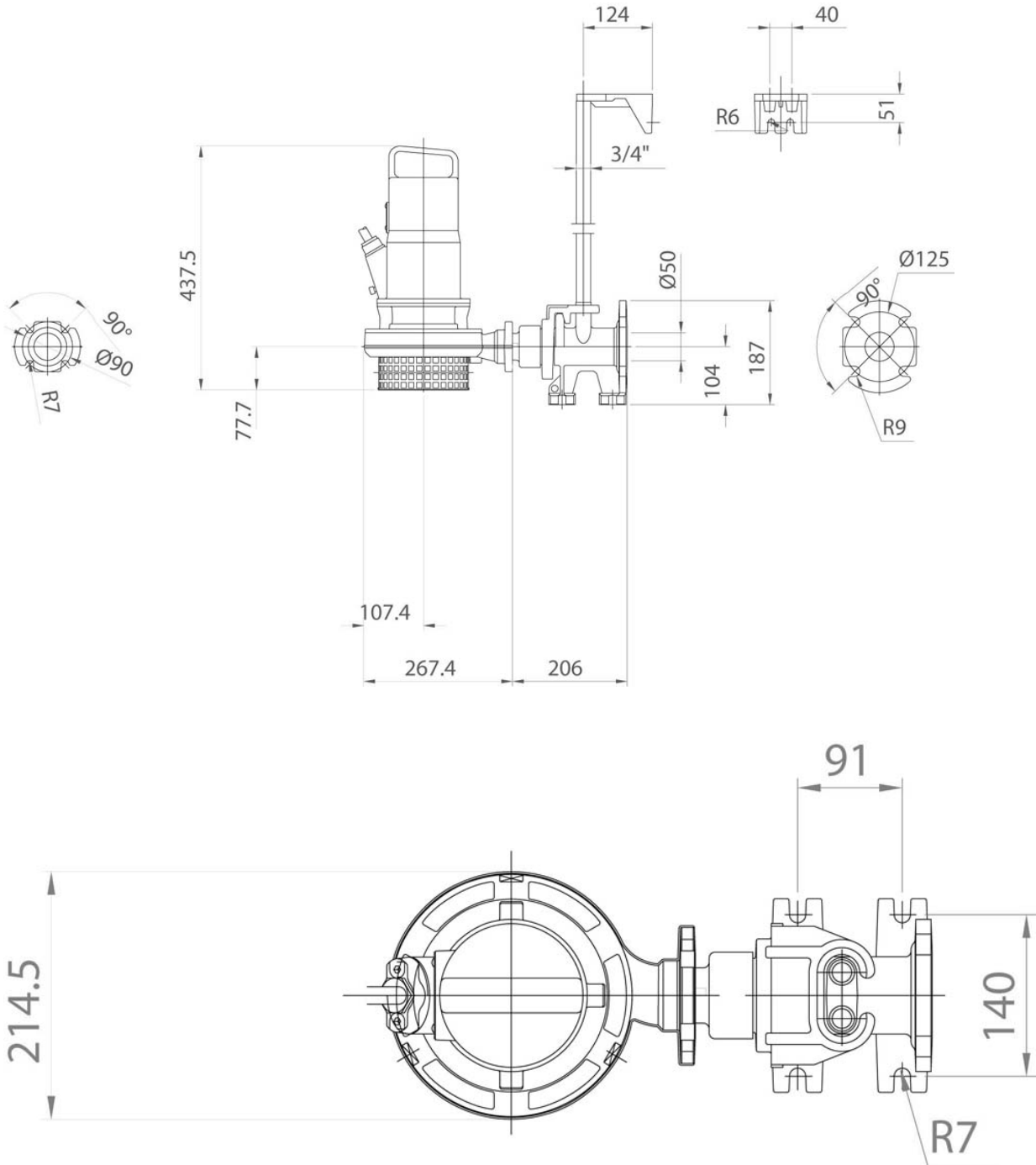
Test limits

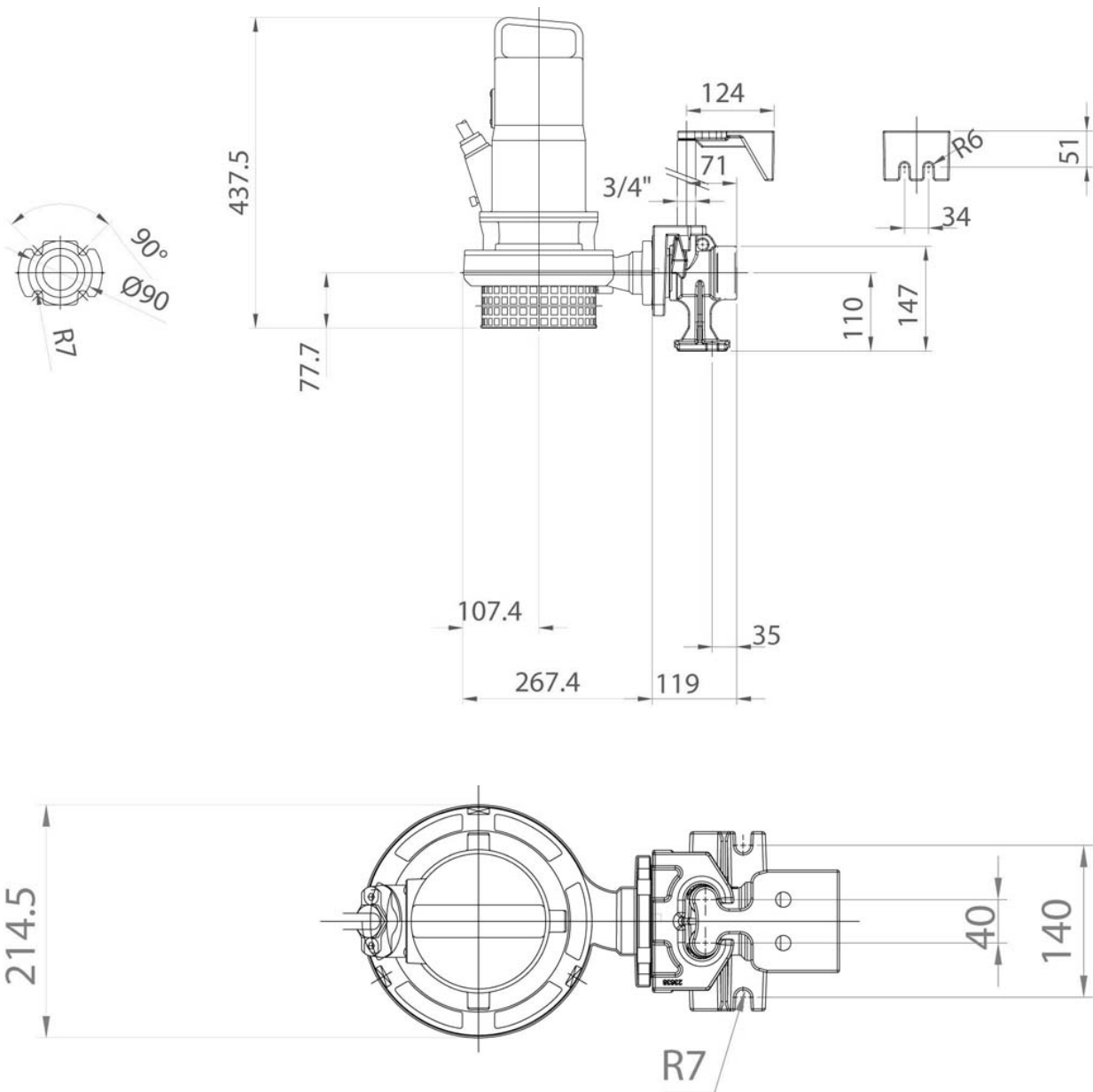
Density of treated fluid	1 Kg/dm ³
Viscosity of treated fluid	1 mm ² /s

Pump

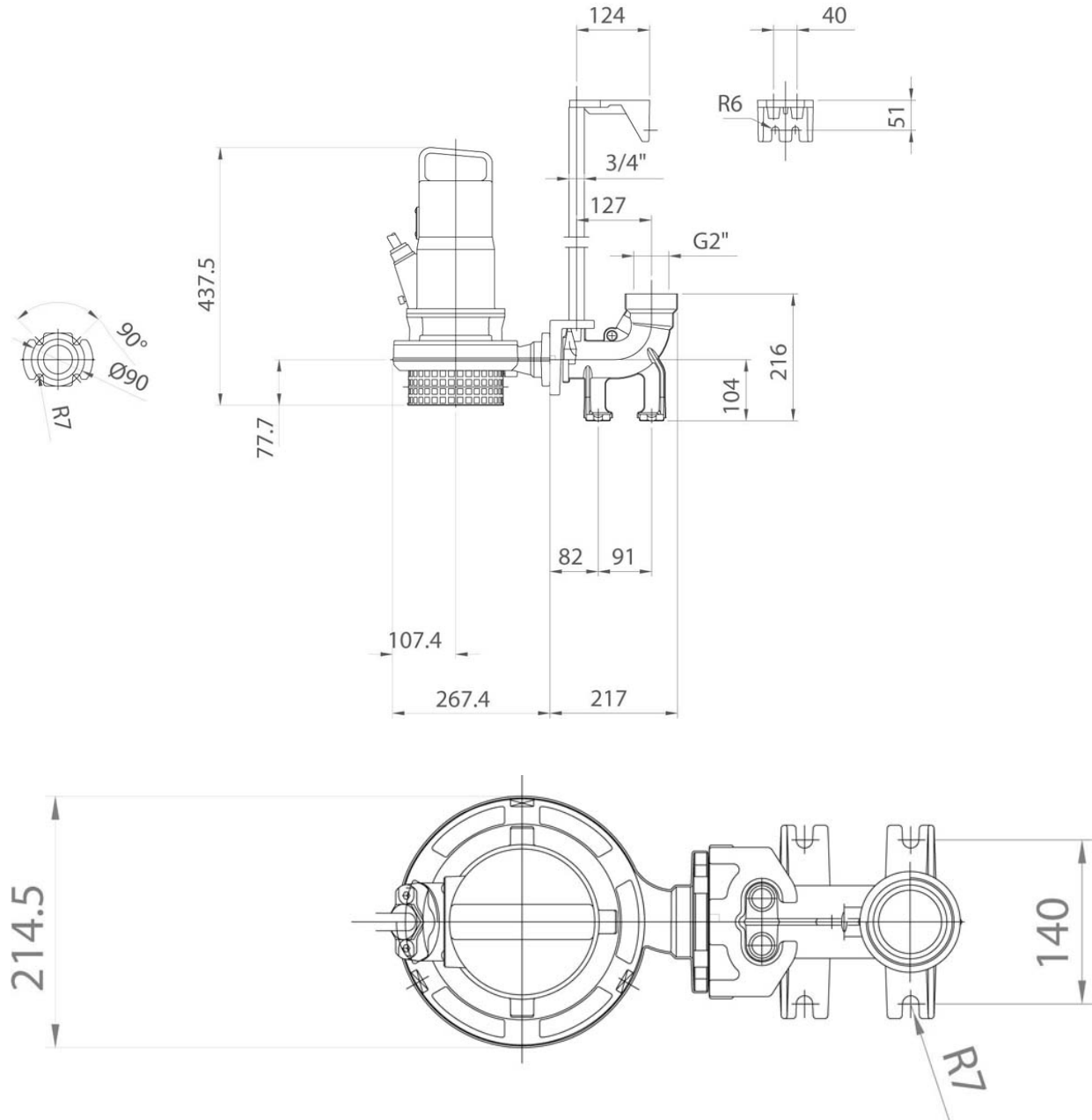


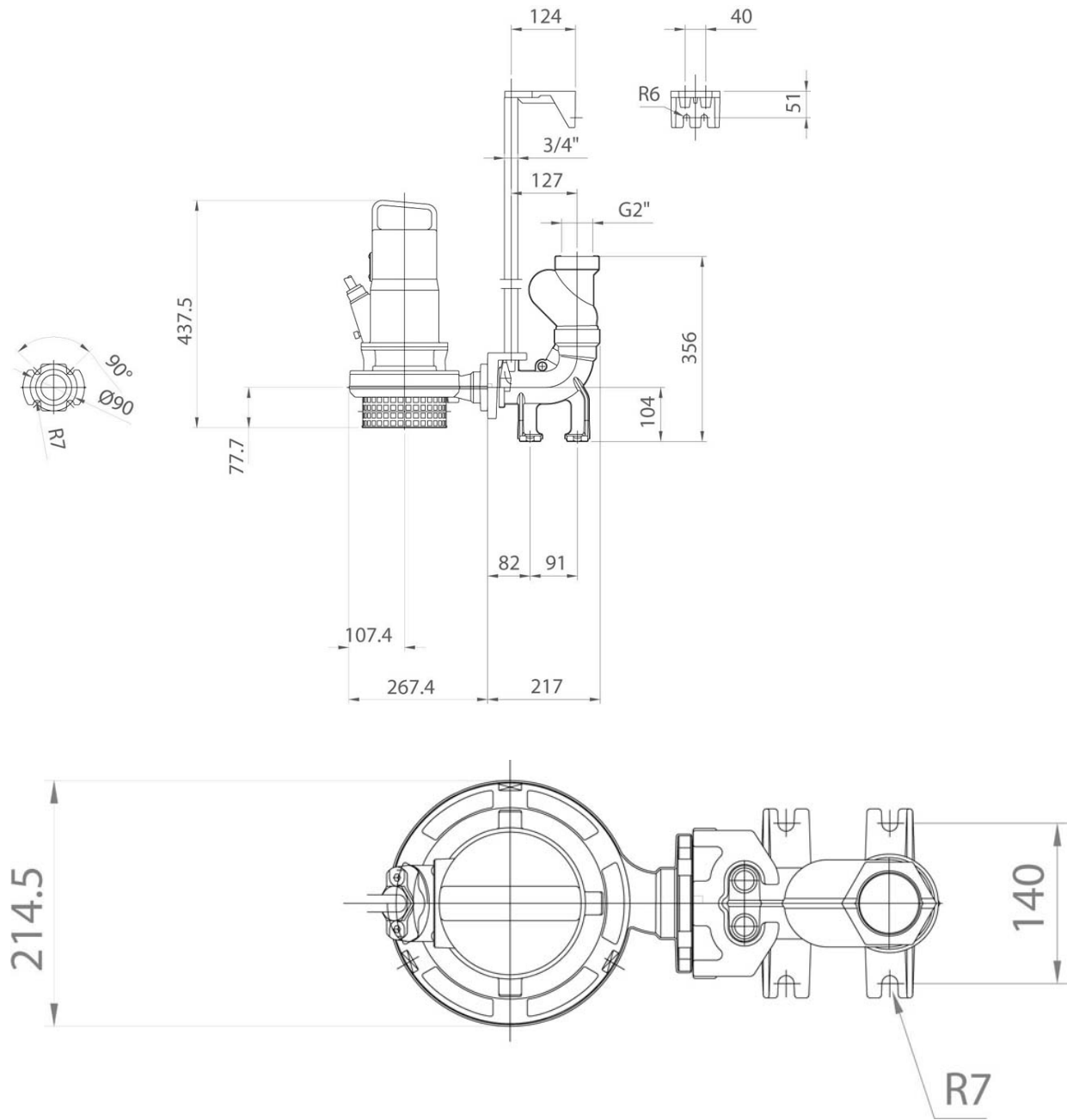
Bottom coupling devices with horizontal outlet

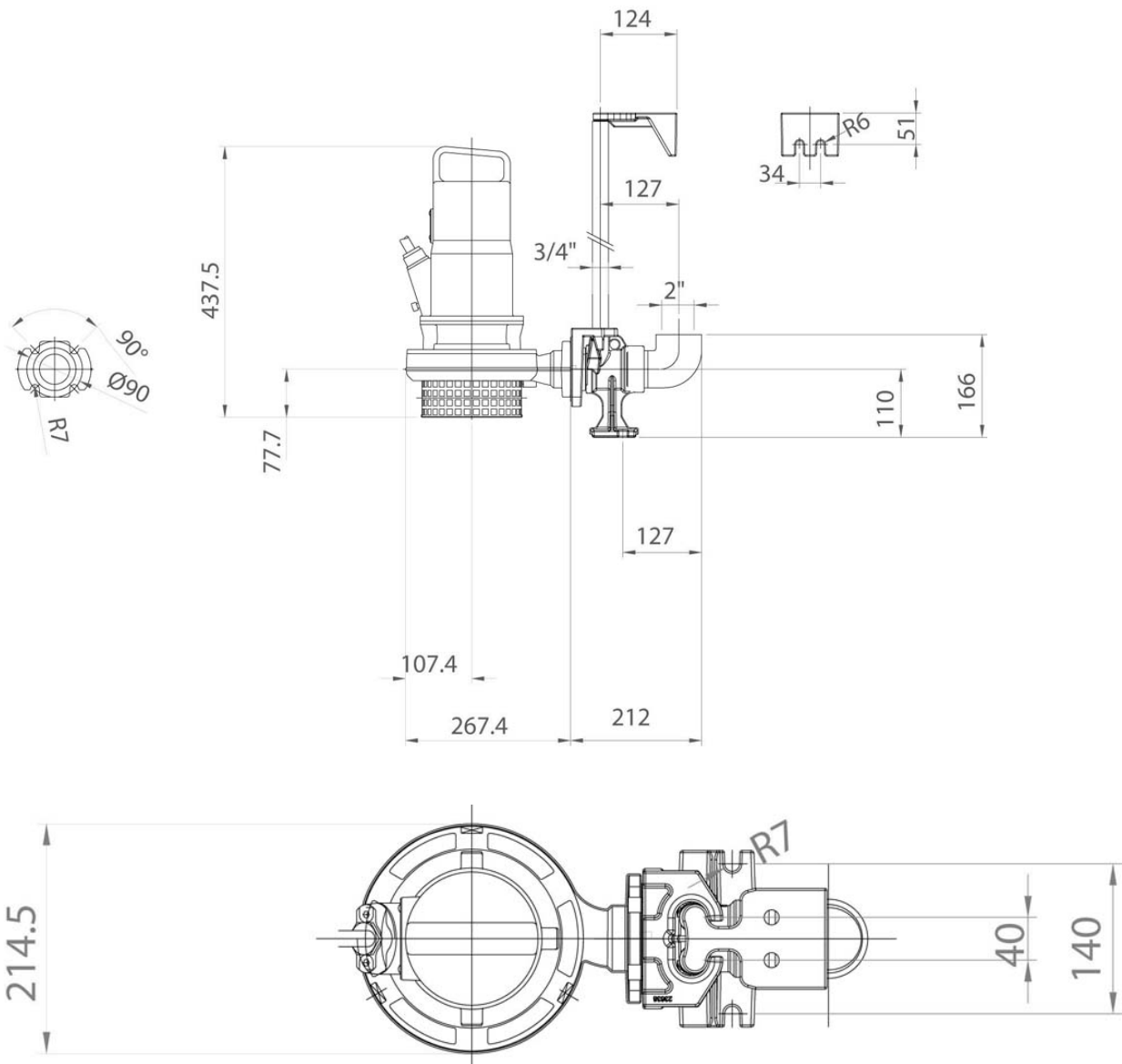


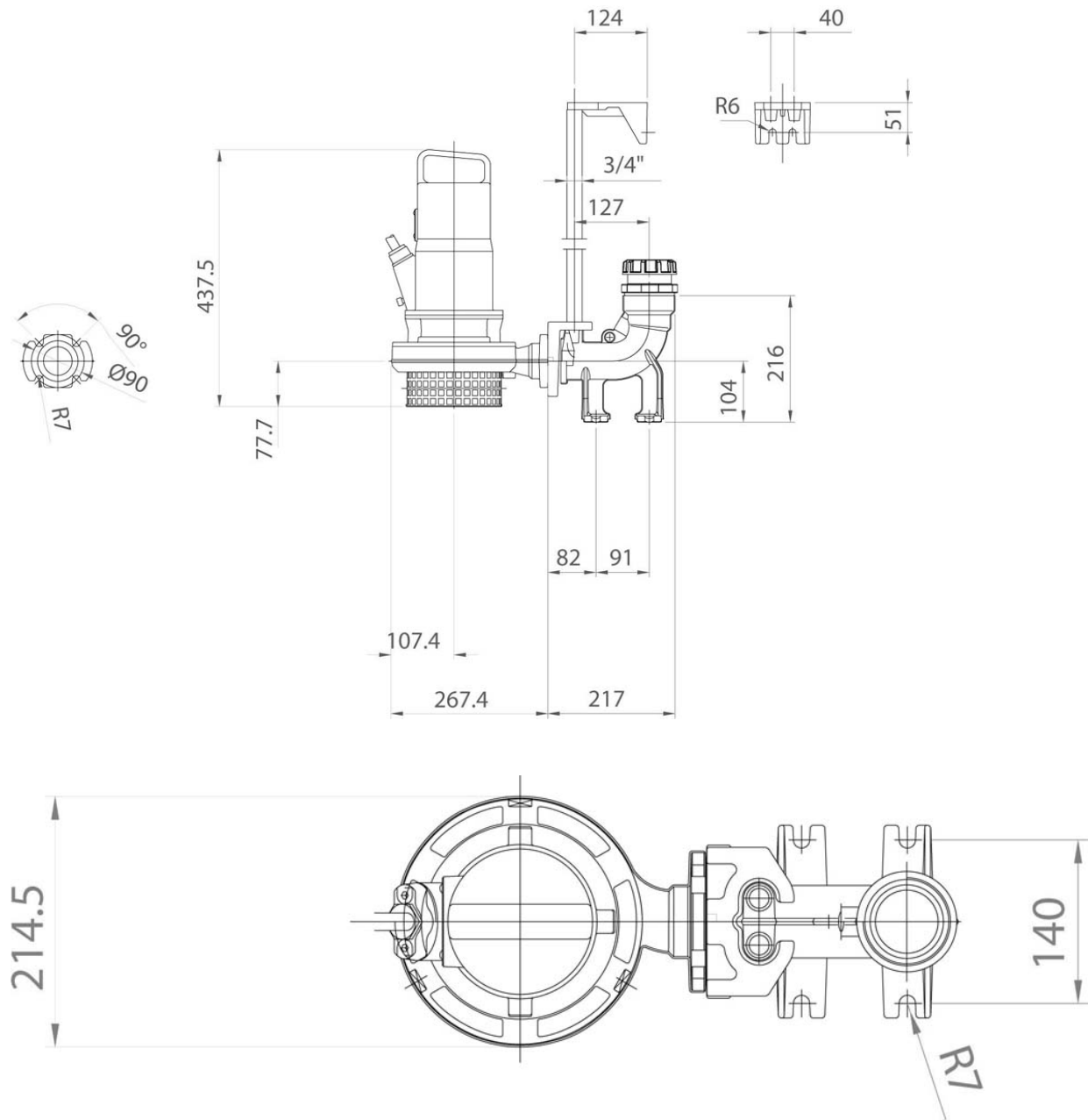


Bottom coupling devices with vertical outlet









Base plate

